

All Parts are 6mm Depron unless stated otherwise.

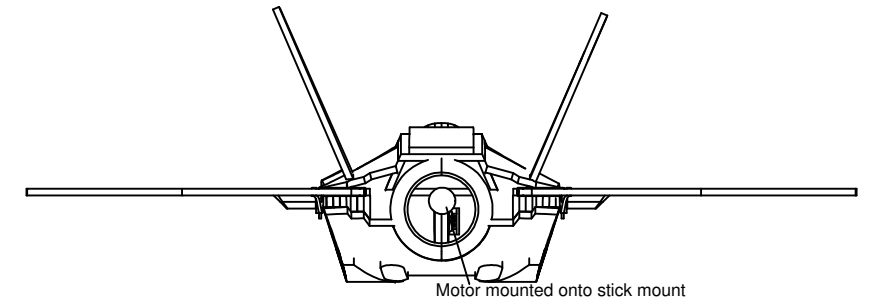
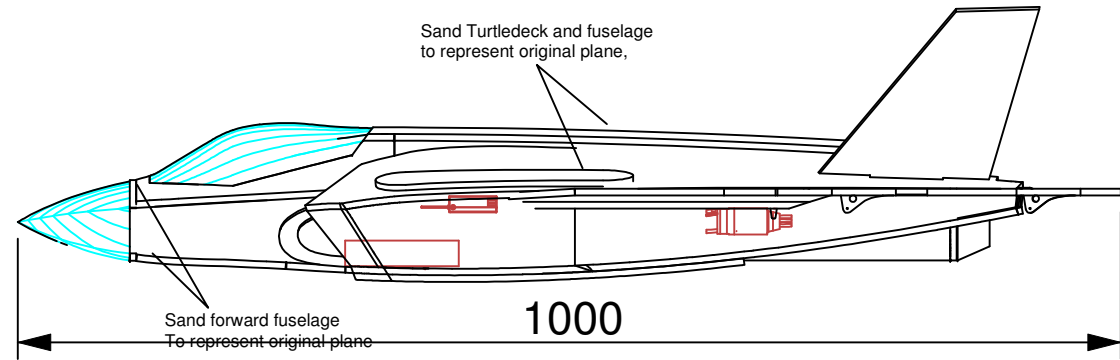
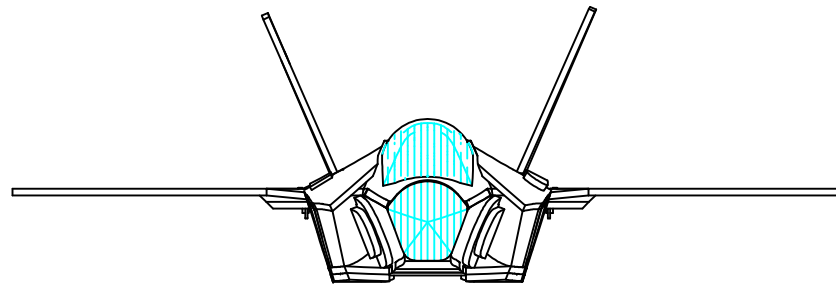
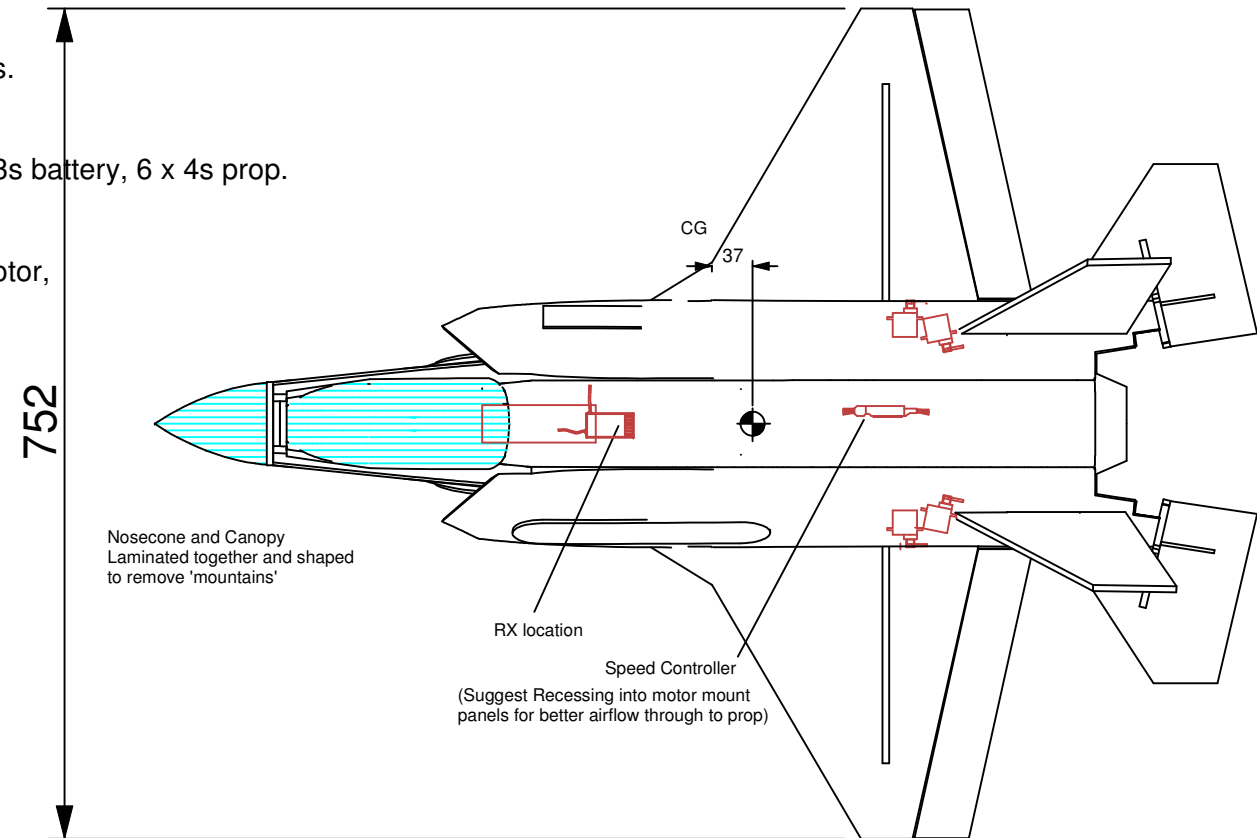
Glue 6mm leading edge balsa onto all the leading edges.

Pusher setup

2212-6 2200kv motor, 30A hobbywing ESC, 2200 mah 3s battery, 6 x 4s prop.

EDF speed setup

EDF 70mm Changesun or Wemotec Evo, HET 2w20 motor, 60a YEP ESC, 2700 mah 4s 35c Battery



F-35 Lightning II

PARKJET

Designed by Craig Clarkstone

Copyright ©2015 All Rights Reserved

Free for non-commercial use.

